

VELDEAU

Fitted Furniture

Fitting Instructions

Woodstock
Trading Co.



VELDEAU

Fitted Furniture Fitting Instructions

This installation Guide will help you to get the best out of your Veldeau bathroom furniture.

Please read the important notes below and check all products thoroughly before beginning installation.

1. Woodstock Trading Company assumes that these products will be fitted by experienced, competent and qualified installers to validate the Veldeau 5 year guarantee. A non-professional installation may invalidate this guarantee. The consumer's statutory rights are not affected.
2. Do not fit any damaged or defective product - contact your bathroom furniture supplier immediately.
3. Veldeau bathroom furniture is designed for domestic environments only. These environments must be adequately ventilated and it is strongly recommended that a suitable extractor fan is installed to prevent condensation build up and to prevent damage to the furniture.
4. MDF or MFC based bathroom furniture must never be installed next to unscreened showers or in wet rooms or in areas where it will come in to regular direct contact with water.
5. Any cut panel edges must be sealed with a good quality PVA or silicone based sealant, especially the rear edge of any trimmed worktops or abutments to basins. Failure to do this will invalidate the guarantee.
6. All points where worktops or furniture abut walls, floors or basins should be sealed with a bead of silicone to prevent capillary action causing water ingress into the units.

Caring for your furniture

By following some simple care and cleaning guidelines, Veldeau furniture can be expected to give many years trouble free service.

All water spills, standing water and sprays must be wiped clean and mopped dry immediately. If left on a surface, water will cause damage.

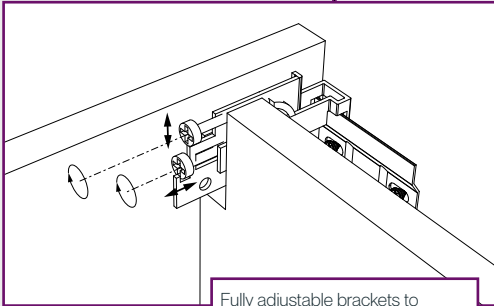
On completion of installation, all sawdust must be removed from the units, and drawer runners inspected carefully with any dirt or grit being removed to ensure a smooth running action prior to full use.

Never use chemical or abrasive cleaners, bleach or furniture polishes on any bathroom furniture as the finish can be affected. Clean only with a soft damp cloth and a mild soap solution as necessary.

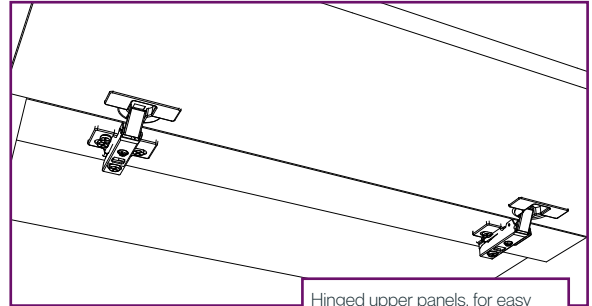


VELDEAU

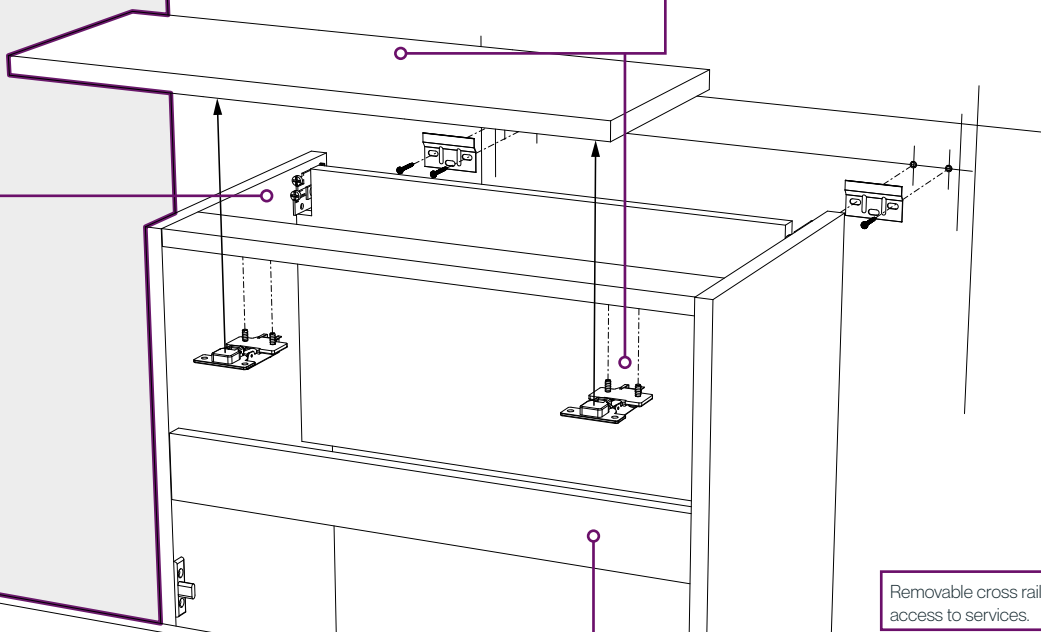
WC Unit



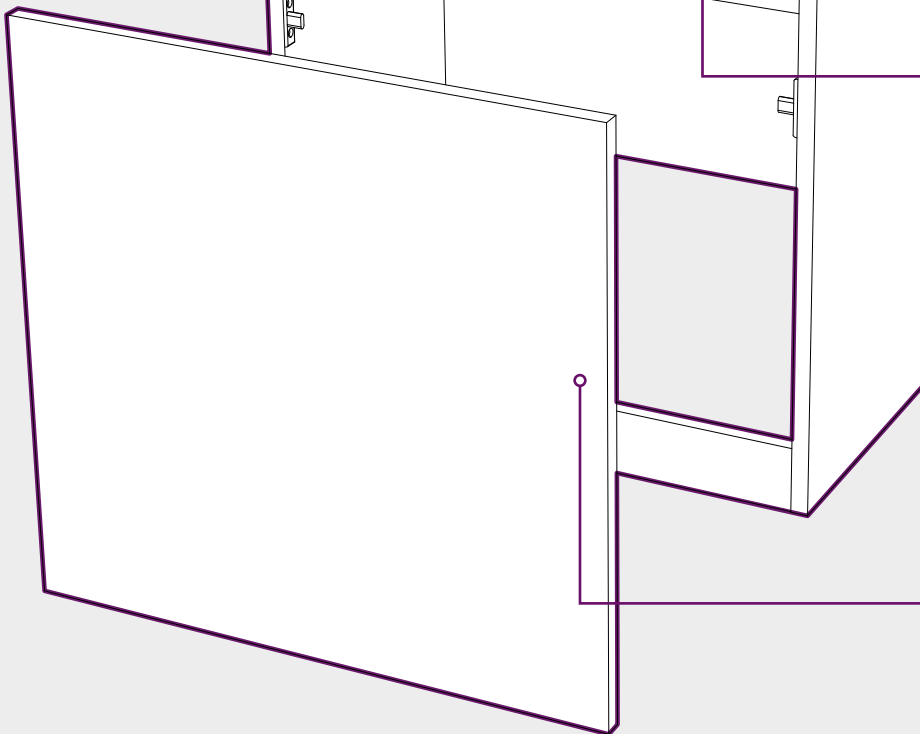
Fully adjustable brackets to secure unit to the wall.
Upper screw for up and down.
Lower screw for in and out.



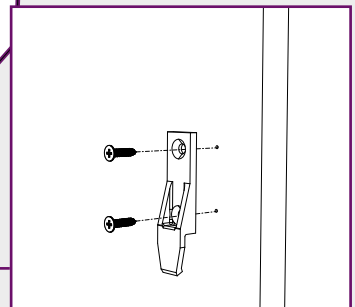
Hinged upper panels, for easy access to the cistern.



Removable cross rail for easier access to services.

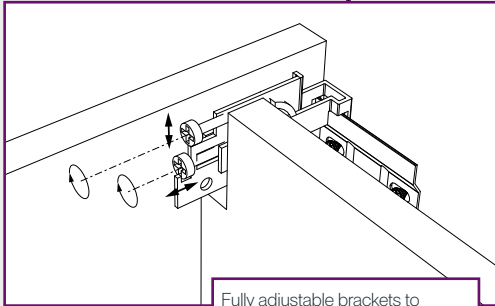


Lift and drop keku clips for secure fastening of the WC lower panel

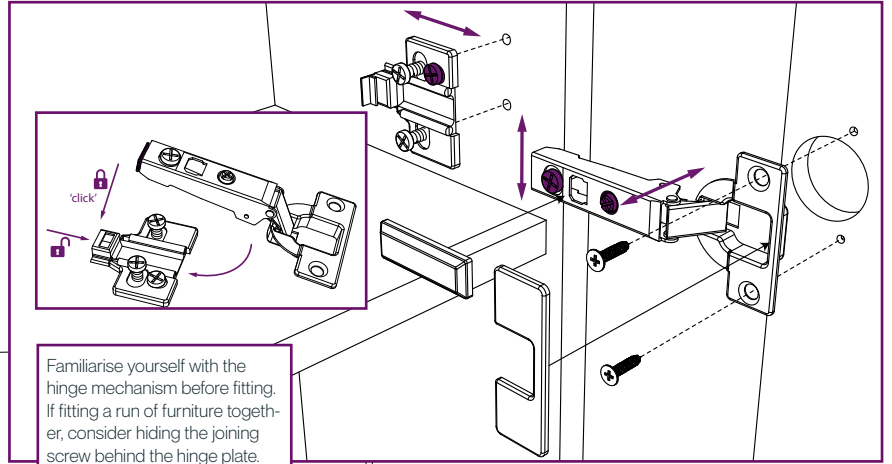


VELDEAU

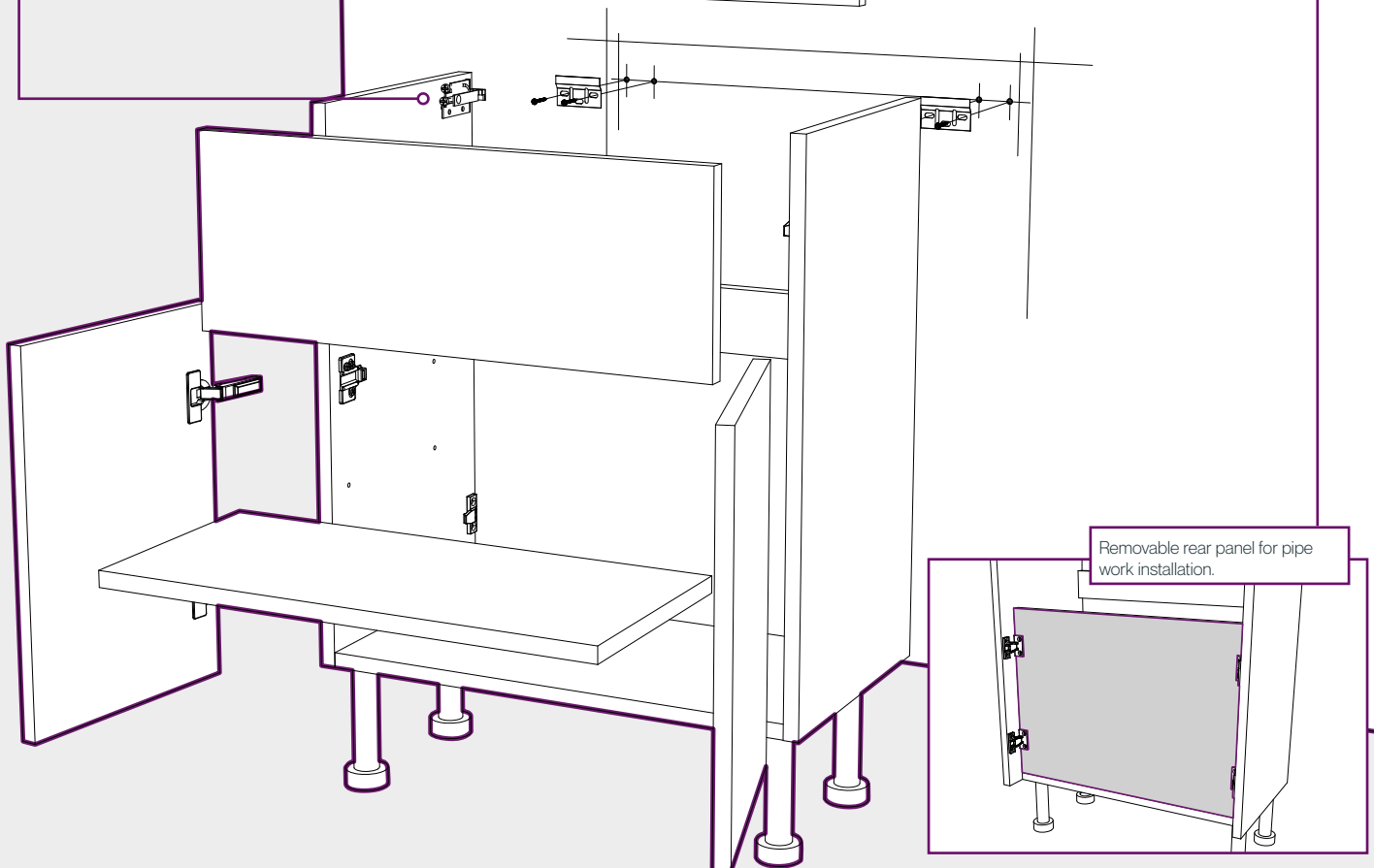
Basin Unit



Fully adjustable brackets to secure unit to the wall.
Upper screw for up and down.
Lower screw for in and out.



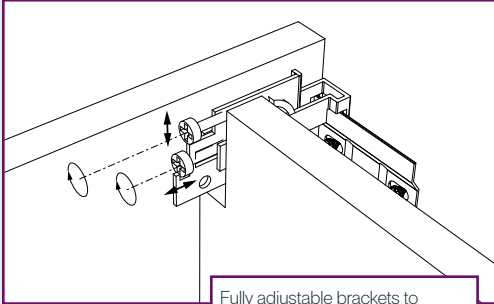
Familiarise yourself with the hinge mechanism before fitting.
If fitting a run of furniture together, consider hiding the joining screw behind the hinge plate.



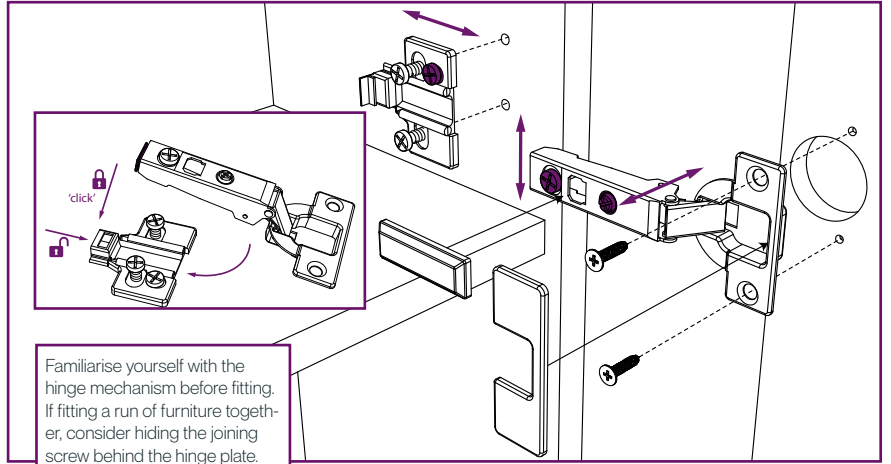
Removable rear panel for pipe work installation.

VELDEAU

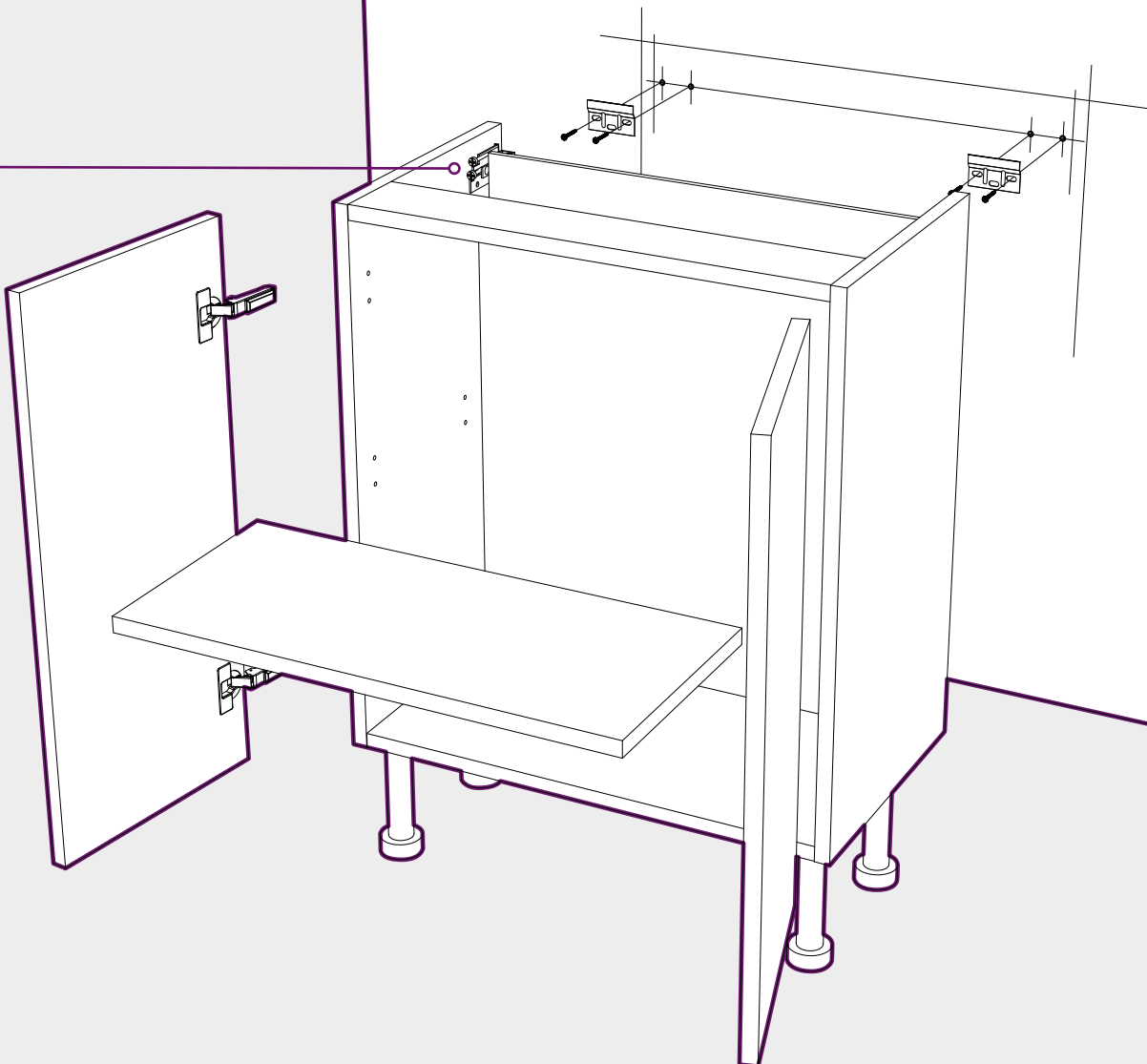
Base Unit



Fully adjustable brackets to secure unit to the wall.
Upper screw for up and down.
Lower screw for in and out.

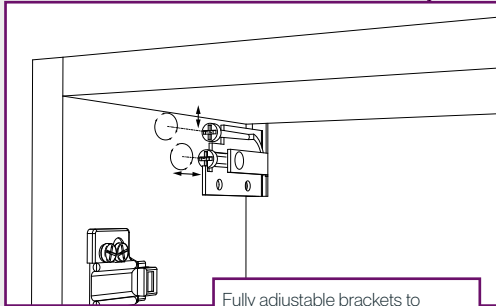


Familiarise yourself with the hinge mechanism before fitting.
If fitting a run of furniture together, consider hiding the joining screw behind the hinge plate.

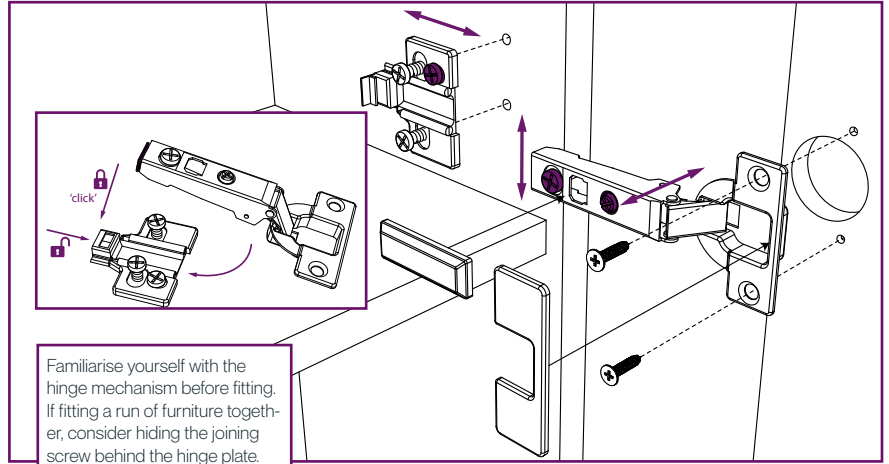


VELDEAU

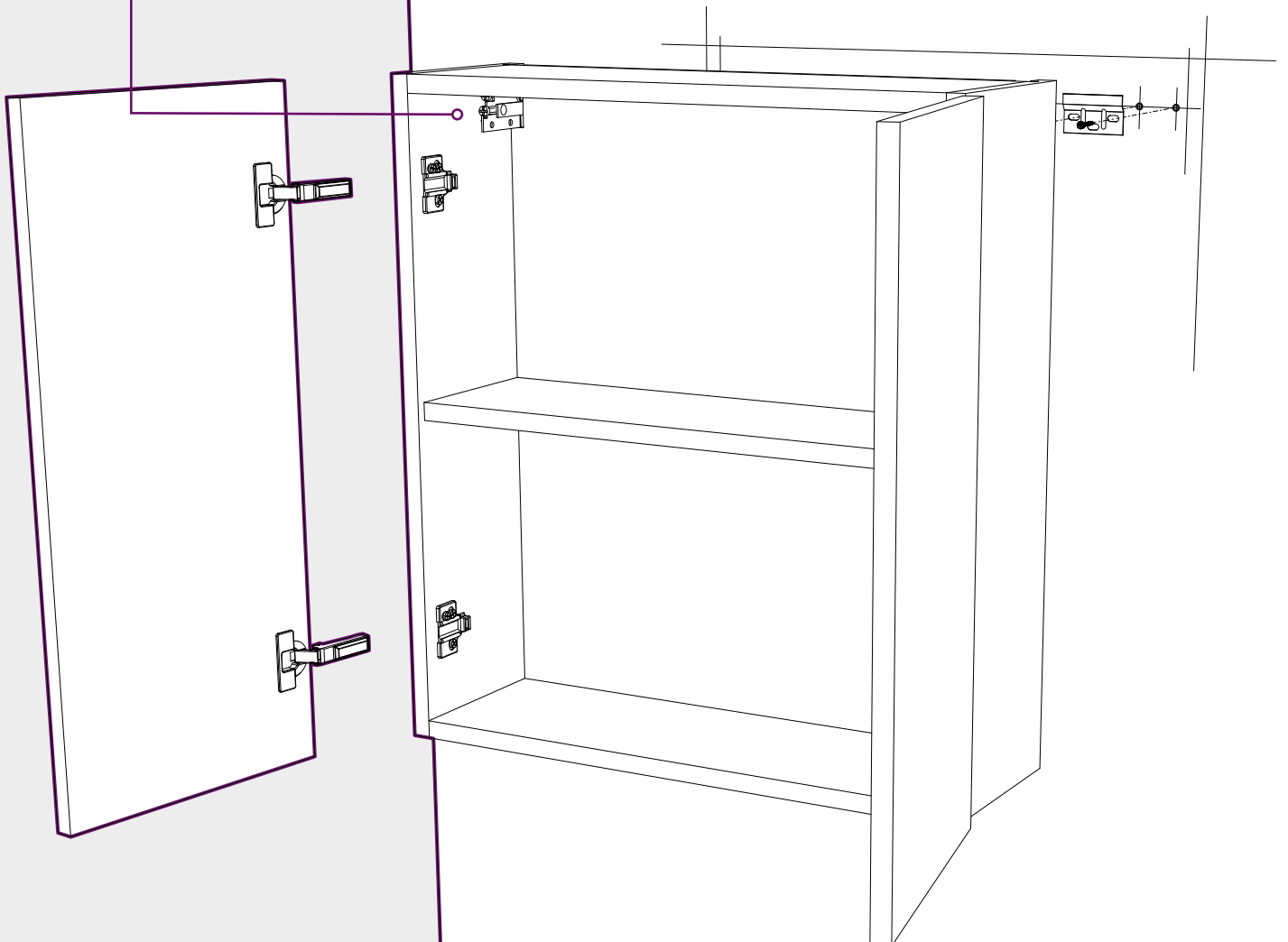
Wall Unit



Fully adjustable brackets to secure unit to the wall.
Upper screw for up and down.
Lower screw for in and out.

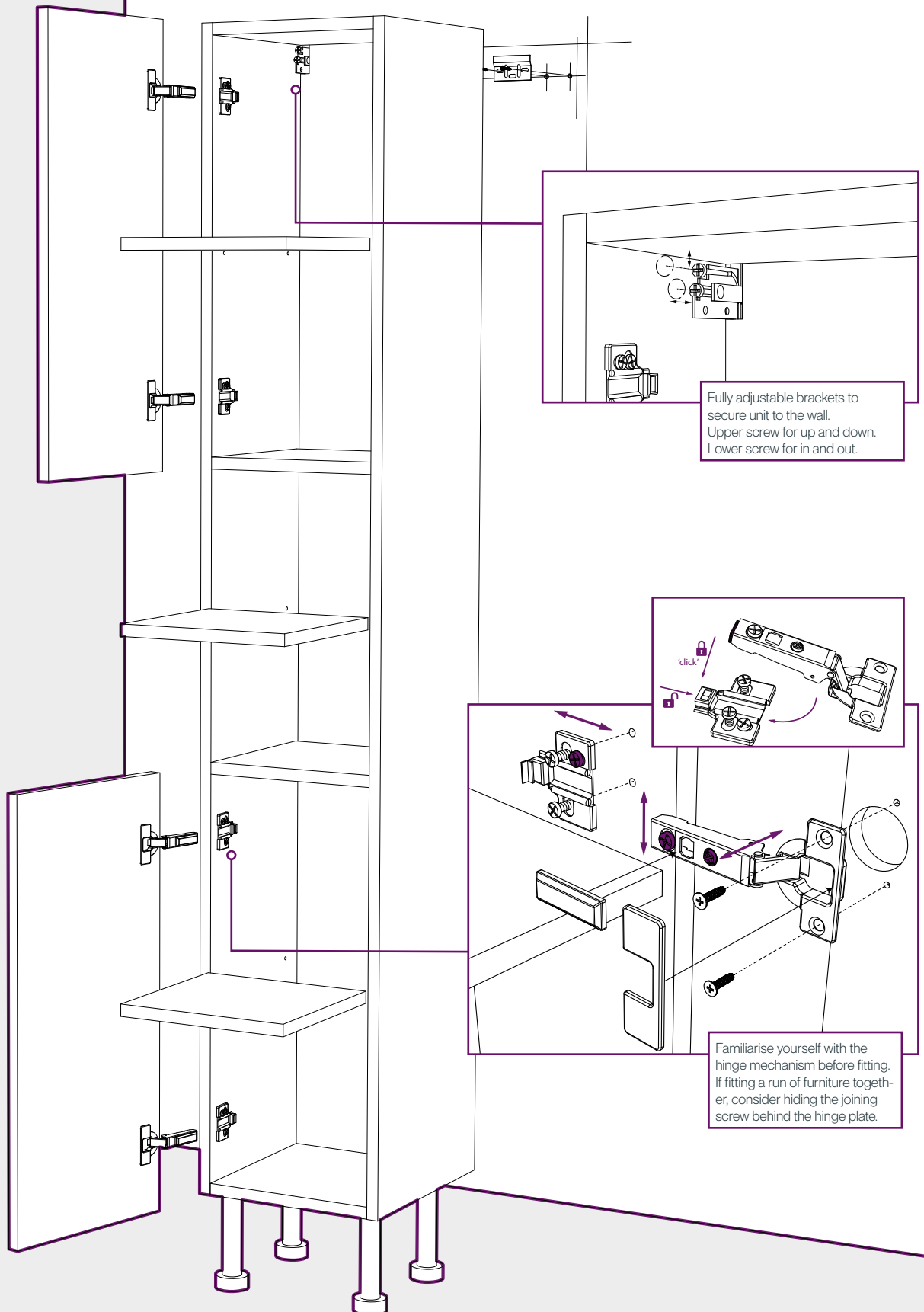


Familiarise yourself with the hinge mechanism before fitting.
If fitting a run of furniture together, consider hiding the joining screw behind the hinge plate.

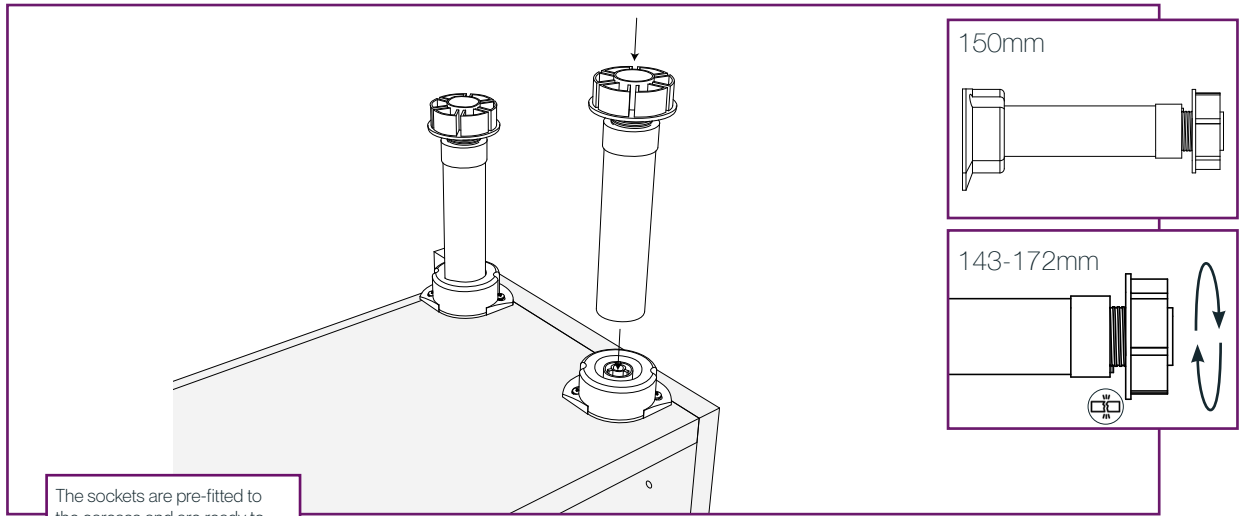


VELDEAU

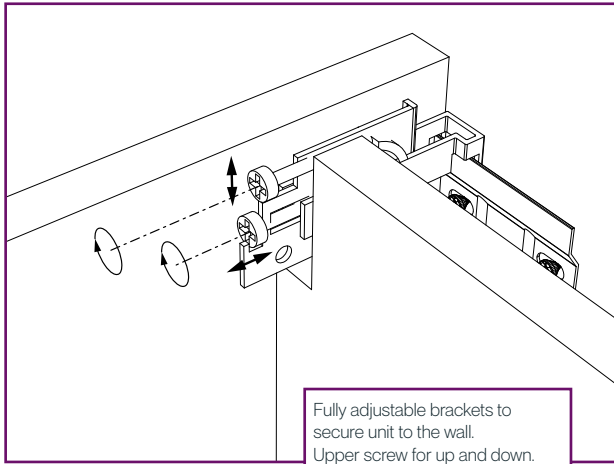
High Rise Unit



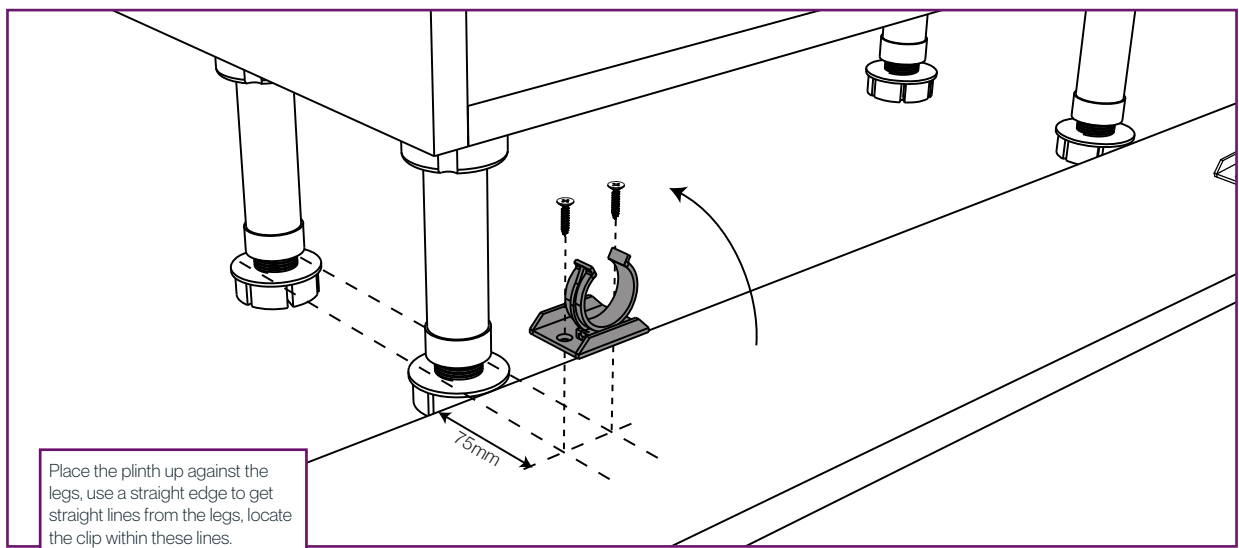
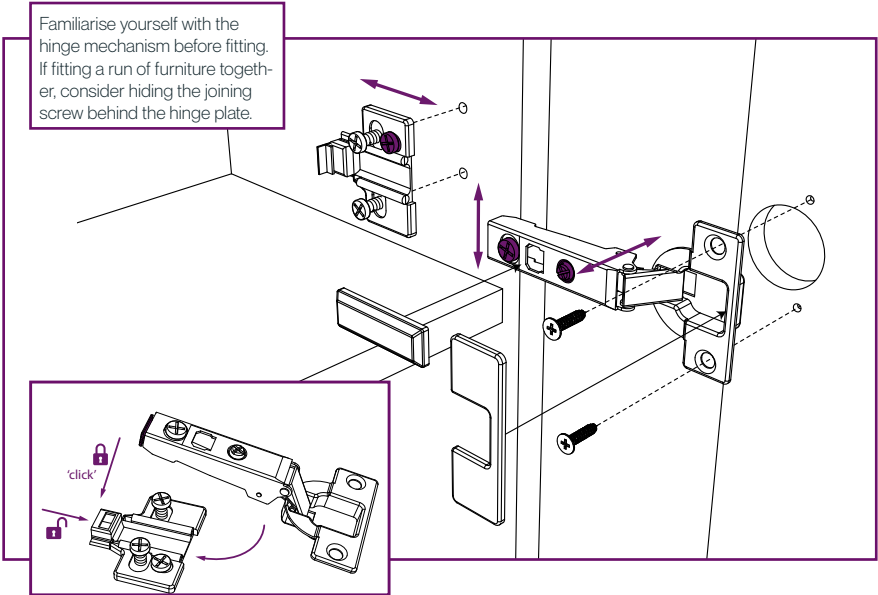
VELDEAU



The sockets are pre-fitted to the carcass and are ready to accept the legs.



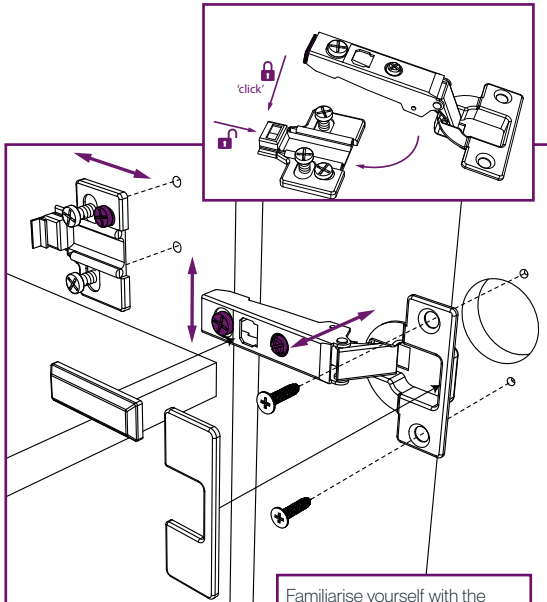
Fully adjustable brackets to secure unit to the wall.
Upper screw for up and down.
Lower screw for in and out.



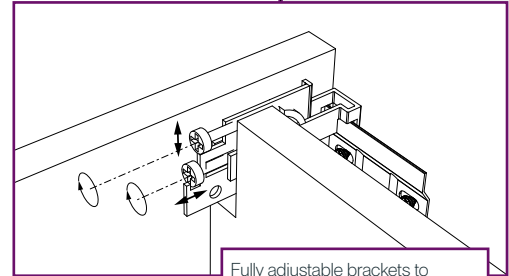
VELDEAU

Vanity Unit - Wall Hung with Doors

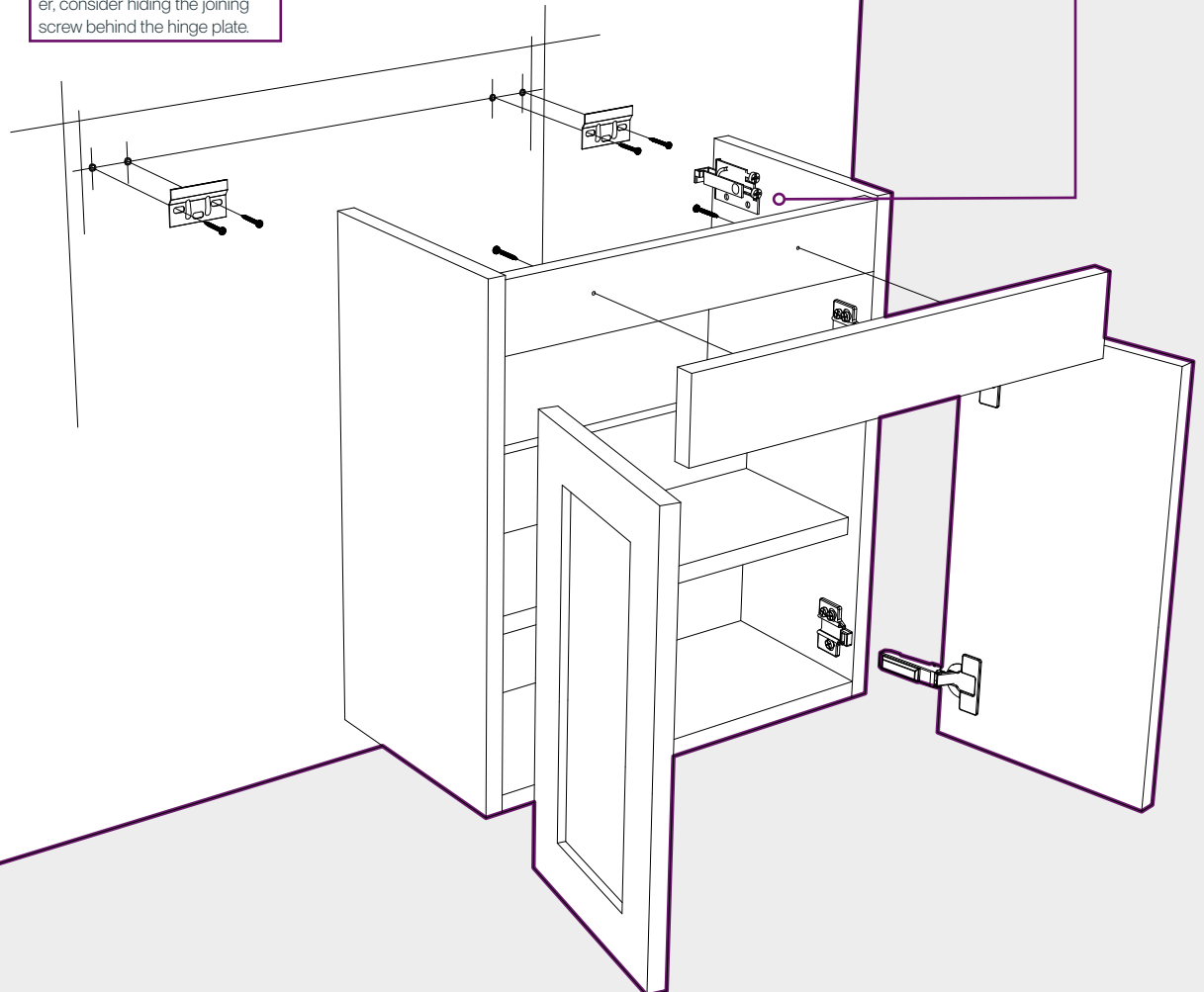
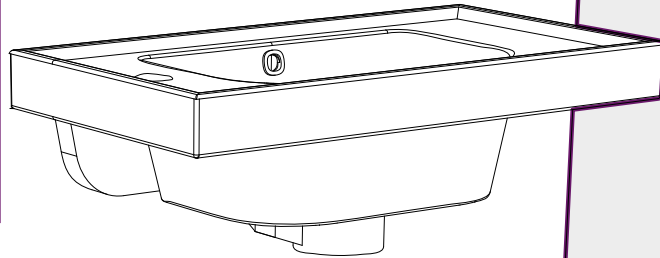
This carcass comes pre-assembled. To complete the installation you will need to fit the doors, hinges, upper panel and basin.



Familiarise yourself with the hinge mechanism before fitting. If fitting a run of furniture together, consider hiding the joining screw behind the hinge plate.



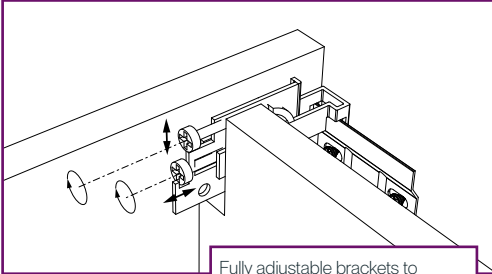
Fully adjustable brackets to secure unit to the wall. Upper screw for up and down. Lower screw for in and out.



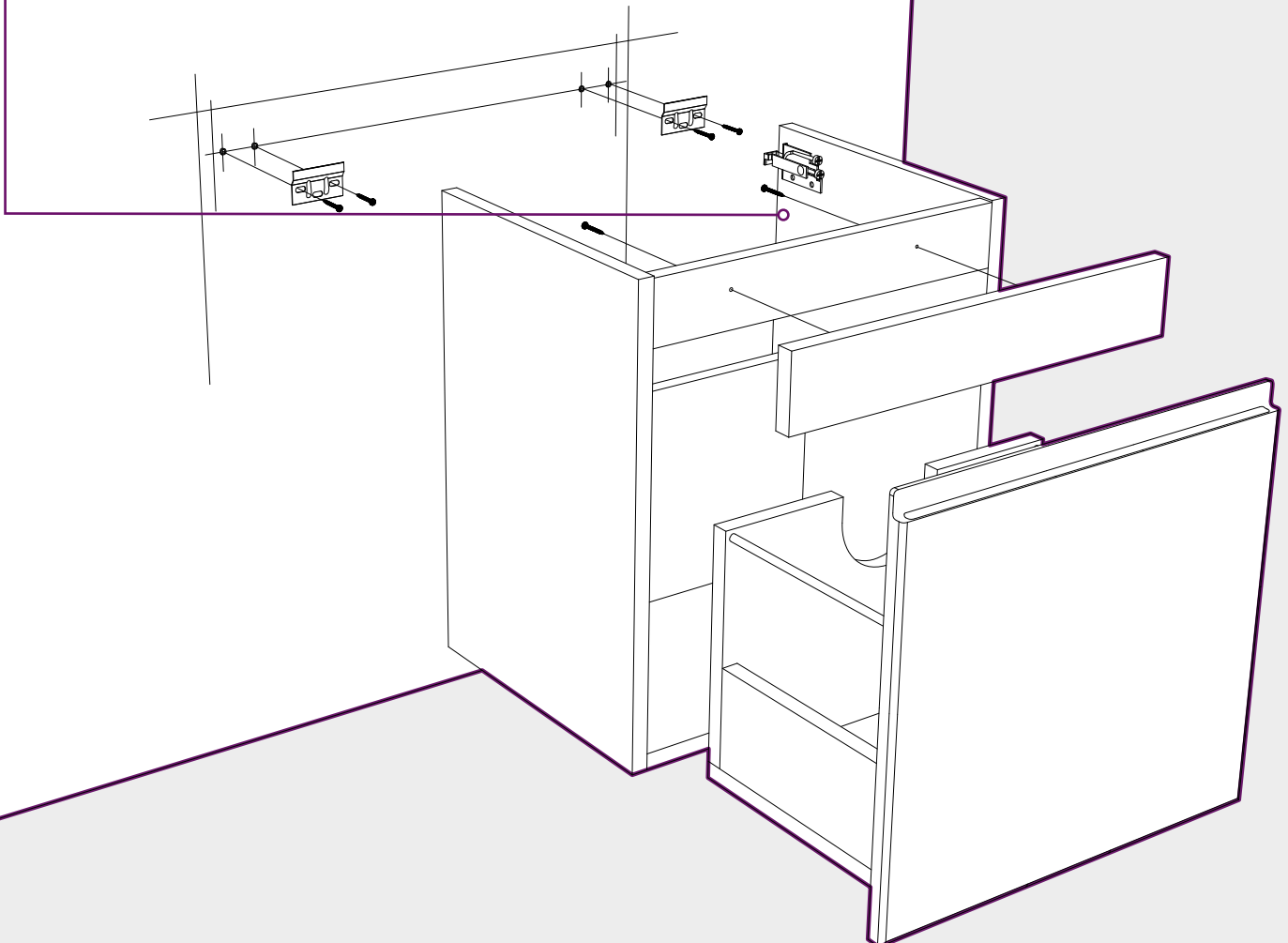
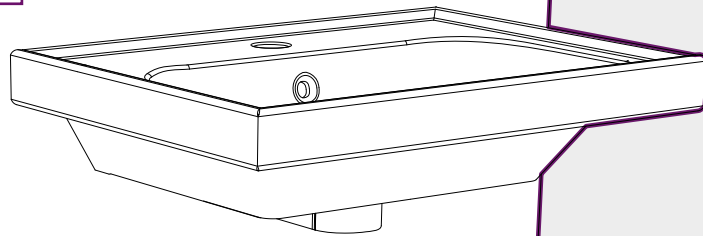
VELDEAU

Vanity Unit - Wall Hung with Drawer

This carcass comes pre-assembled with the drawer box installed. To complete the installation you will need to fit the drawer fascia, upper panel and basin.

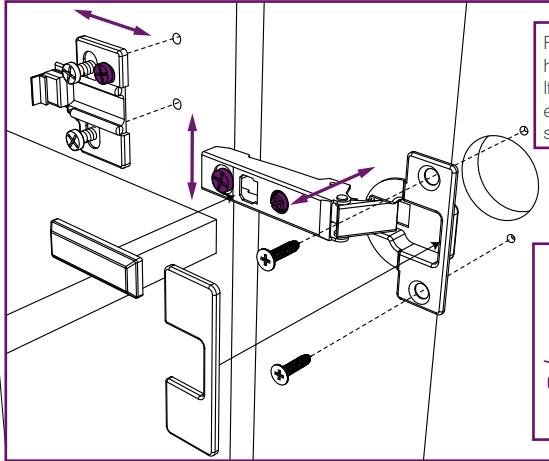


Fully adjustable brackets to secure unit to the wall.
Upper screw for up and down.
Lower screw for in and out.

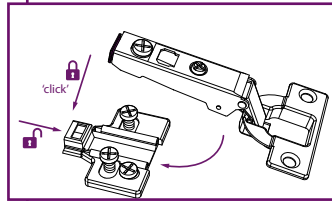


Vanity Unit - Floor Standing with Doors

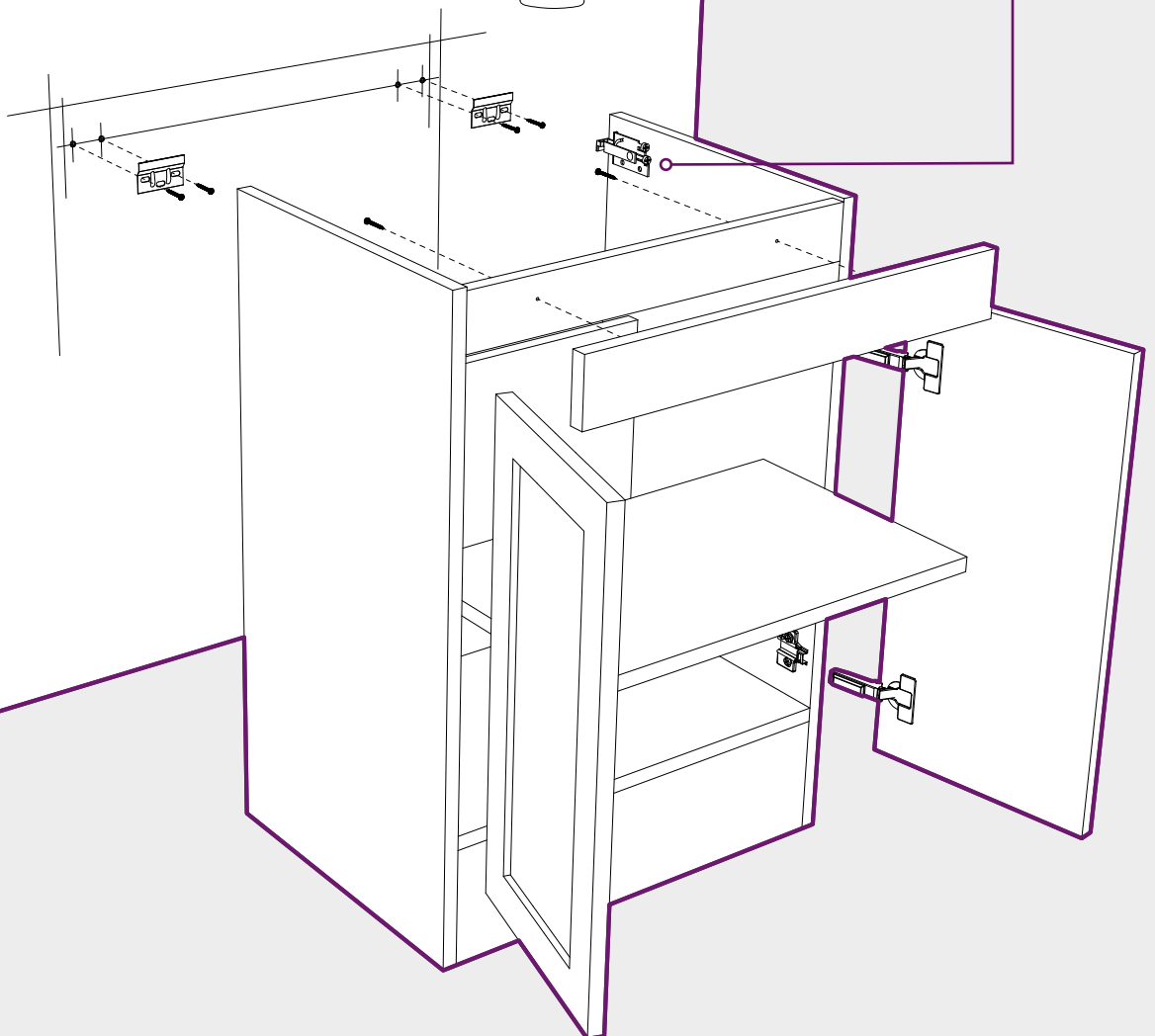
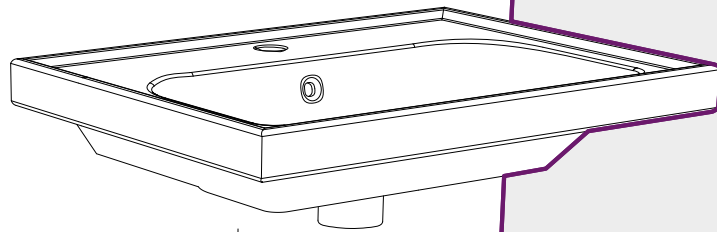
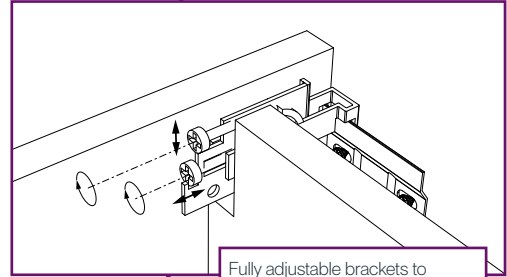
This carcass comes pre-assembled. To complete the installation you will need to fit the doors, hinges, upper panel and basin.



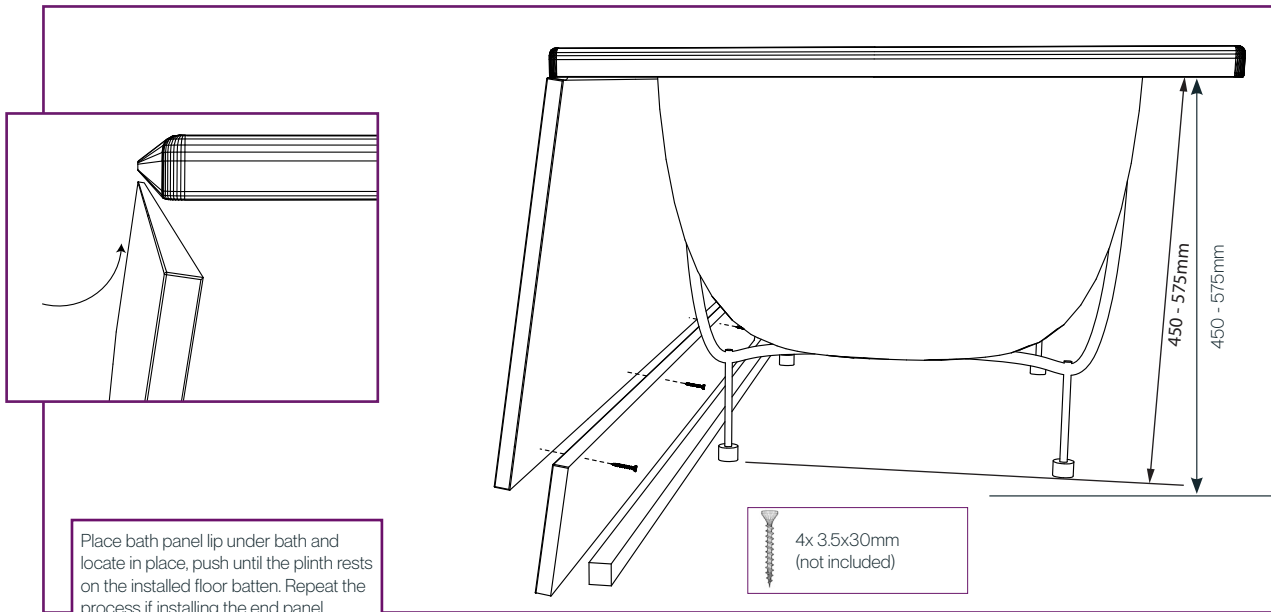
Familiarise yourself with the hinge mechanism before fitting. If fitting a run of furniture together, consider hiding the joining screw behind the hinge plate.



Fully adjustable brackets to secure unit to the wall. Upper screw for up and down. Lower screw for in and out.



Bath Panels



Attaching Worktops

