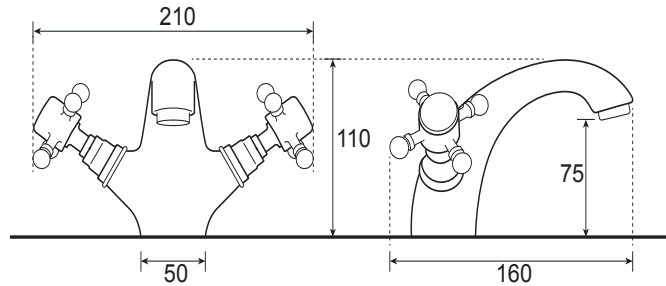


FIRENZE BASIN TAP



Product	FIRENZE BASIN TAP
Unit Size	210w x 160d x 110h
Tap Code	35.1020
Finish	CHROME

- Screw valve.
- Minimum recommended operating pressure - 0.3 bar.
- Slotted click waste included.

OPERATING SPECIFICATIONS

Usage -

- Use the left handle for hot water and rotate to turn on & off.
- Use the right handle for cold water and rotate to turn on & off. .

Cleaning & Maintenance -

- Rinse with clean warm water & dry with a soft cloth.
- Do not use abrasive cleaners.
- Unscrew and remove the aerator with a coin and clean/de-scale it when necessary.

OPERATING FLOW RATES

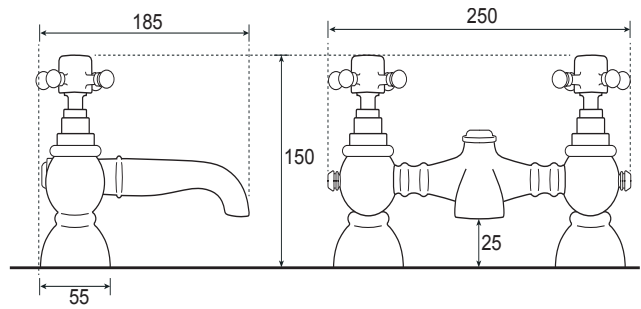
Water Pressure	0.2 Bar	0.3 Bar	0.5 Bar	1 Bar	2 Bar	3 Bar
0.1 Bar		4-6 l/min				

These flow rates are recorded under controlled conditions for each model illustrated and may vary on individual taps subject to differing installation methods & conditions.

Typically acceptable flow rates for taps are: Basin Taps 4-6 litres per minute and Bath Fillers 10-15 litres per minute.

These rates determine the Recommended Minimum Operating Pressure as highlighted above and published in all our brochures.

FIRENZE BATH TAP



Product	FIRENZE BATH TAP
Unit Size	250w x 185d x 150h
Tap Code	35.1024
Finish	CHROME

- Screw valve.
- Minimum recommended operating pressure - 0.3 bar.

OPERATING SPECIFICATIONS

Usage -

- Use the left handle for hot water and rotate to turn on & off.
- Use the right handle for cold water and rotate to turn on & off.

Cleaning & Maintenance -

- Rinse with clean warm water & dry with a soft cloth.
- Do not use abrasive cleaners.
- Unscrew and remove the aerator with a coin and clean/de-scale it when necessary.

OPERATING FLOW RATES

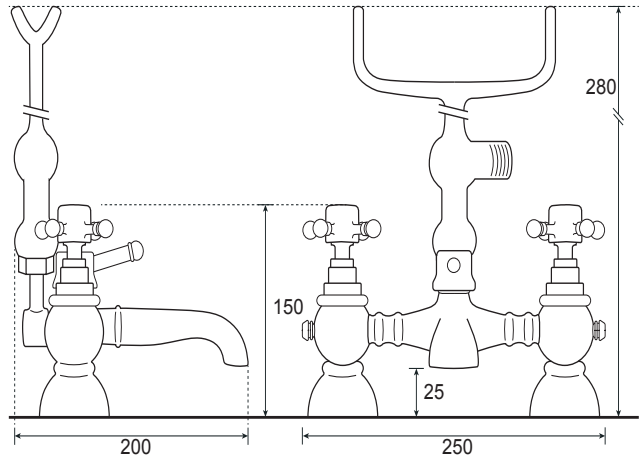
Water Pressure	0.2 Bar	0.3 Bar	0.5 Bar	1 Bar	2 Bar	3 Bar
0.1 Bar	6.60 l/min	10.80 l/min	12.48 l/min	14.40 l/min	19.20 l/min	34.00 l/min
						38.00 l/min

These flow rates are recorded under controlled conditions for each model illustrated and may vary on individual taps subject to differing installation methods & conditions.

Typically acceptable flow rates for taps are: Basin Taps 4-6 litres per minute and Bath Fillers 10-15 litres per minute.

These rates determine the Recommended Minimum Operating Pressure as highlighted above and published in all our brochures.

FIRENZE BATH MIXER TAP



Product	FIRENZE BATH MIXER TAP
Unit Size	250w x 200d x 280h
Tap Code	35.1027
Finish	CHROME

- Screw valve.
- Minimum recommended operating pressure - 0.5 bar.

OPERATING SPECIFICATIONS

Usage -

- Use the left handle for hot water and rotate to turn on & off.
- Use the right handle for cold water and rotate to turn on & off.
- Use the diverter handle to divert water from the spout to the shower head.

Cleaning & Maintenance -

- Rinse with clean warm water & dry with a soft cloth.
- Do not use abrasive cleaners.
- Unscrew and remove the aerator with a coin and clean/de-scale it when necessary.

OPERATING FLOW RATES

Water Pressure	0.2 Bar	0.3 Bar	0.5 Bar	1 Bar	2 Bar	3 Bar
0.1 Bar	4.80 l/min	7.80 l/min	10.80 l/min	14.40 l/min	20.40 l/min	24.00 l/min
						25.20 l/min

These flow rates are recorded under controlled conditions for each model illustrated and may vary on individual taps subject to differing installation methods & conditions.

Typically acceptable flow rates for taps are: Basin Taps 4-6 litres per minute and Bath Fillers 10-15 litres per minute.

These rates determine the Recommended Minimum Operating Pressure as highlighted above and published in all our brochures.