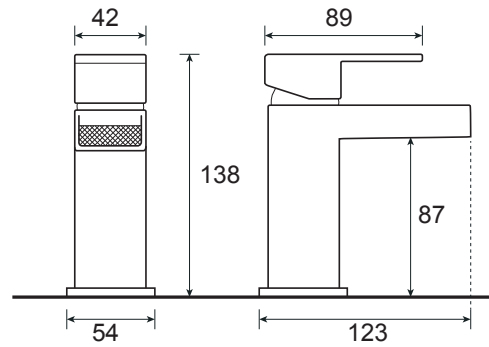


BALME BASIN TAP



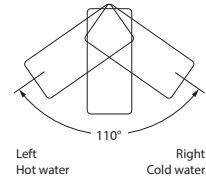
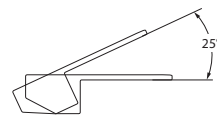
Product	BALME BASIN TAP
Unit Size	54w x 123d x 138h
Tap Code	35.1040
Finish	CHROME

- Quarter-turn ceramic cartridge.
- Minimum recommended operating pressure - 0.5 bar.
- Slotted click waste included.

OPERATING SPECIFICATIONS

Usage -

- Move the handle up and down to control the water flow
- Turn the handle to the left or right to switch between hot and cold water.



Cleaning & Maintenance -

- Rinse with clean warm water & dry with a soft cloth.
- Do not use abrasive cleaners.
- Unscrew and remove the aerator with a coin and clean/de-scale it when necessary.

OPERATING FLOW RATES

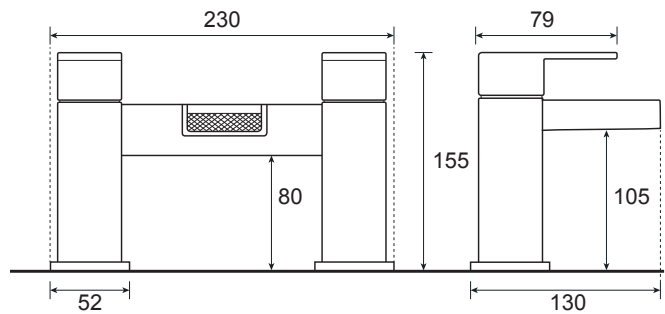
Water Pressure	0.2 Bar	0.3 Bar	0.5 Bar	1 Bar	2 Bar	3 Bar
0.1 Bar			4-6 l/min			

These flow rates are recorded under controlled conditions for each model illustrated and may vary on individual taps subject to differing installation methods & conditions.

Typically acceptable flow rates for taps are: Basin Taps 4-6 litres per minute and Bath Fillers 10-15 litres per minute.

These rates determine the Recommended Minimum Operating Pressure as highlighted above and published in all our brochures.

BALME BATH TAP



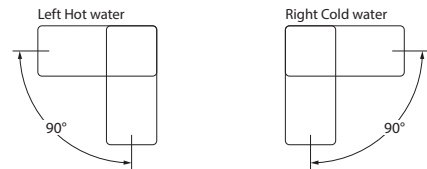
Product	BALME BATH TAP
Unit Size	230w x 130d x 155h
Tap Code	35.1044
Finish	CHROME

- Quarter-turn ceramic cartridge.
- Minimum recommended operating pressure - 0.5 bar.

OPERATING SPECIFICATIONS

Usage -

- Use the right handle for cold water. Turn the handle 90° to increase flow.
- Use the left handle for hot water. Turn the handle 90° to increase flow.



Cleaning & Maintenance -

- Rinse with clean warm water & dry with a soft cloth.
- Do not use abrasive cleaners.

OPERATING FLOW RATES

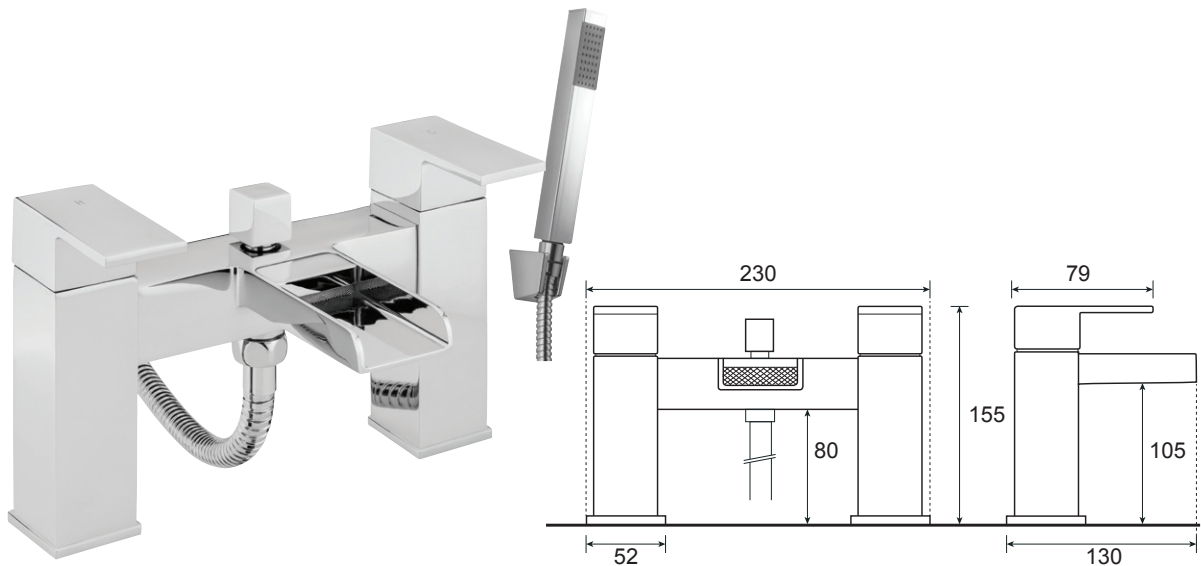
Water Pressure	0.2 Bar	0.3 Bar	0.5 Bar	1 Bar	2 Bar	3 Bar
0.1 Bar	3.60 l/min	7.20 l/min	9.60 l/min	16.32 l/min	25.20 l/min	34.00 l/min

These flow rates are recorded under controlled conditions for each model illustrated and may vary on individual taps subject to differing installation methods & conditions.

Typically acceptable flow rates for taps are: Basin Taps 4-6 litres per minute and Bath Fillers 10-15 litres per minute.

These rates determine the Recommended Minimum Operating Pressure as highlighted above and published in all our brochures.

BALME BATH MIXER TAP



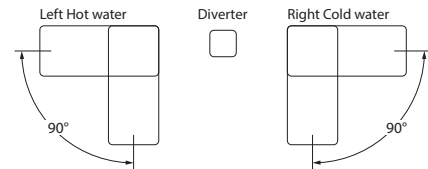
Product	BALME BATH MIXER TAP
Unit Size	230w x 130d x 155h
Tap Code	35.1047
Finish	CHROME

- Quarter-turn ceramic cartridge.
- Minimum recommended operating pressure - 0.5 bar.

OPERATING SPECIFICATIONS

Usage -

- Use the right handle for cold water. Turn the handle 90° to increase flow.
- Use the left handle for hot water. Turn the handle 90° to increase flow.
- Pull the diverter upwards to divert the water from the spout to the shower head.



Cleaning & Maintenance -

- Rinse with clean warm water & dry with a soft cloth.
- Do not use abrasive cleaners.

OPERATING FLOW RATES

Water Pressure	0.2 Bar	0.3 Bar	0.5 Bar	1 Bar	2 Bar	3 Bar
0.1 Bar	3.60 l/min	7.20 l/min	9.60 l/min	16.32 l/min	25.20 l/min	34.00 l/min

These flow rates are recorded under controlled conditions for each model illustrated and may vary on individual taps subject to differing installation methods & conditions.

Typically acceptable flow rates for taps are: Basin Taps 4-6 litres per minute and Bath Fillers 10-15 litres per minute.

These rates determine the Recommended Minimum Operating Pressure as highlighted above and published in all our brochures.