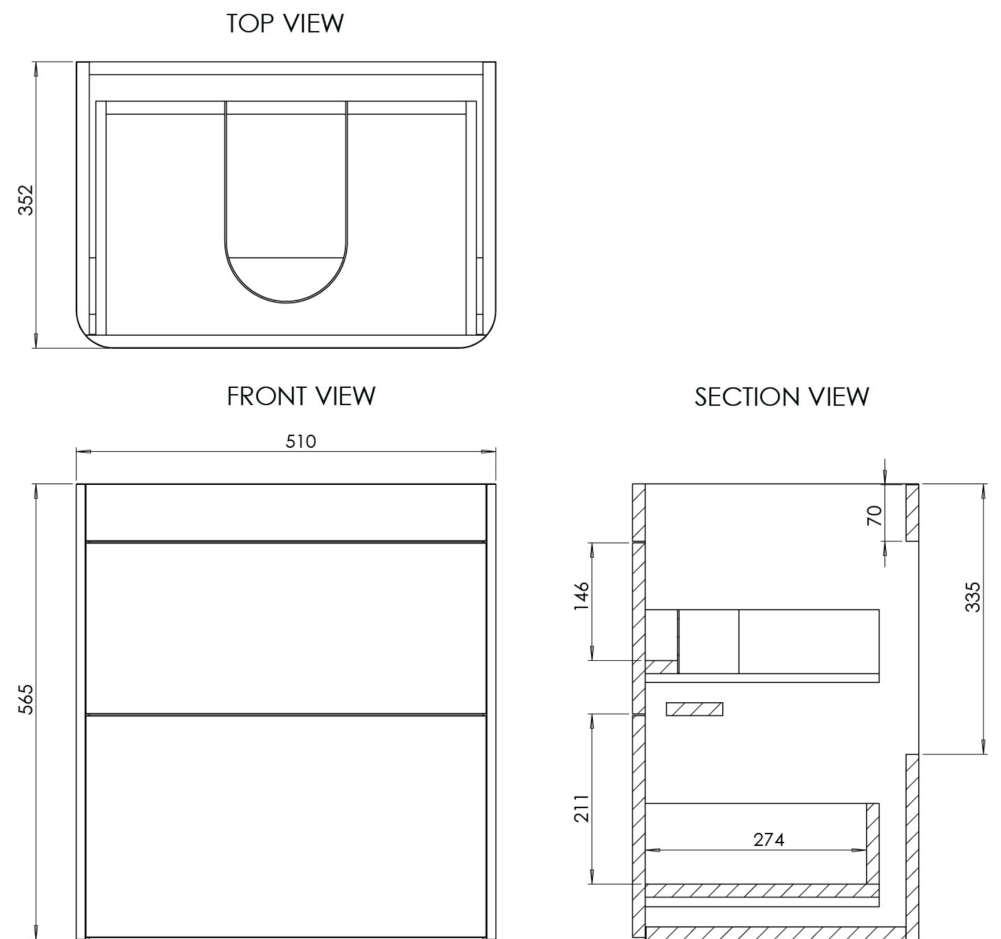
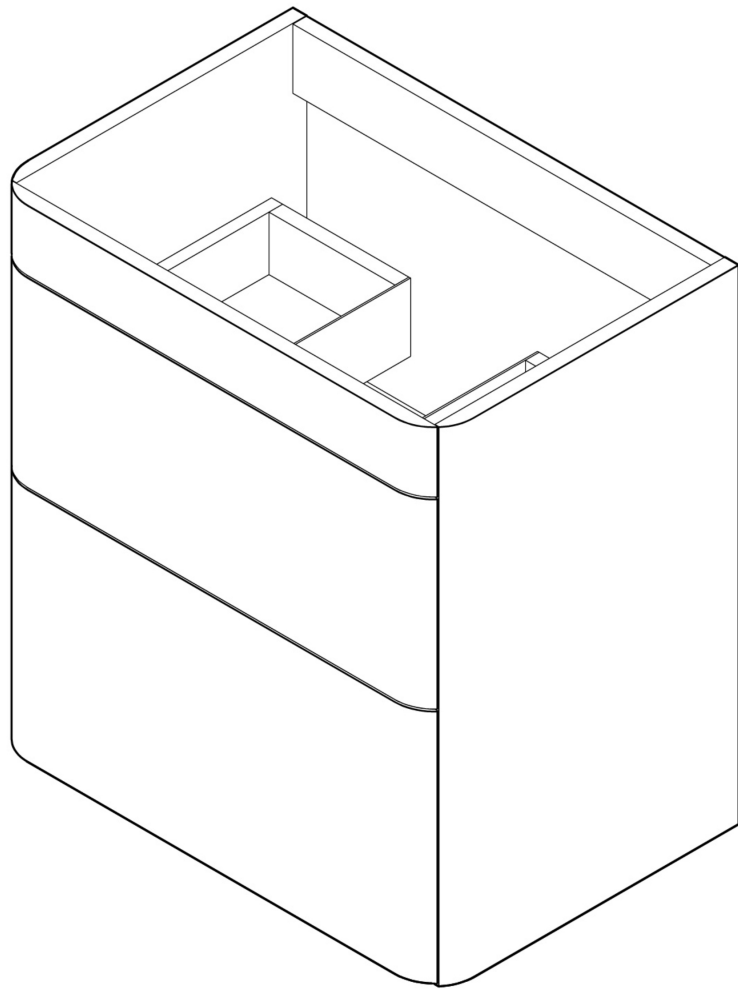


Henbury Wall Hung Vanity Unit 550 Two Drawer

5011

Technical Drawings

All dimensions in mm. Please check dimensions prior to installation.



Technical Details

Furniture Type:	Wall Hung Vanity Unit
Dimensions (WxDxH):	510 x 352 x 565mm
Weight:	21.08 kg
Carcass Material:	MFC 16mm
Fascia Style:	MDF 16mm Slab
Drawers:	2 drawers, Soft Closemm runners
Guarantee Period:	5 Years

In The Box:

Henbury Wall Hung Vanity Unit 550 Two Drawer

Contact